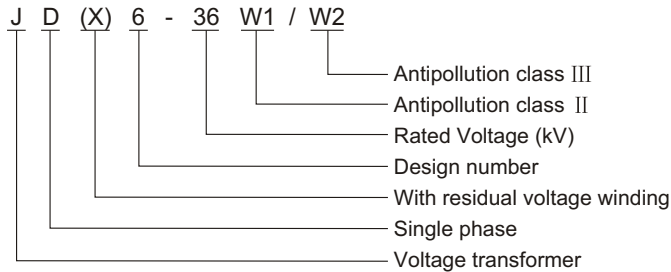


## JD(X) 6-36 Voltage Transformer

### Summary

The JD(X)6-36 oil-immersed voltage instrument transformers are designed for outdoor service conditions. The transformers are used in single-phase electric systems of rated voltage of 36kV and rated frequency of 50/60 Hz. The products are designed in accordance with Standards IEC60044-2 and GB1207-2006. The products are typically used in electric energy metering, voltage controlling and relay protection applications.

### Model



### Technical specification

Rated insulation level: 40.5/95/200kV.

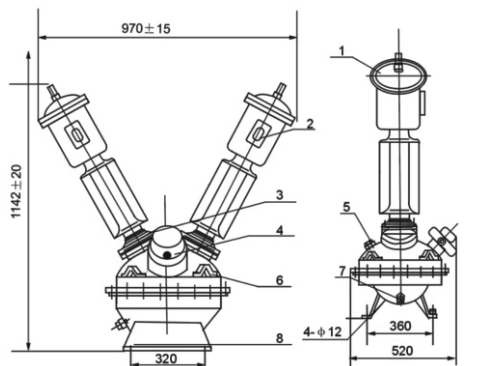
Type	Rated voltage Ratio(V)	Accuracy class and rated output (VA)				Limit output (VA)
		0.2	0.5	1	6P	
JD6-36	36000/100	75	150	250		1000
JDX6-36	36000/√3/100/√3/100/3	75	150	250	100	2×500
	36000/3/100/3/100/3	30	60		100	

### Structure feature

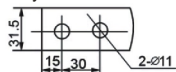
The iron core is of three-post type. Primary and secondary windings are cast surrounding the middle post of the three. The body of transformer is fixed in the oil tank. A porcelain vase is equipped above the tank, and the oil conservator is located on the top of the vase. The fully enclosing construction effectively prevents oil aging.

Note: The secondary winding is not permitted to be short-circuited or to work overload.

### Outline dimension

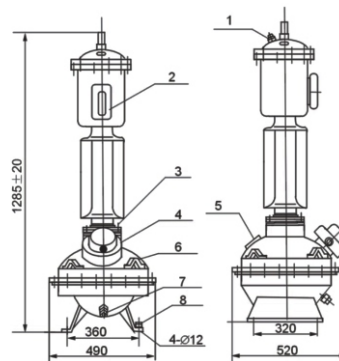


Primary terminal dimension

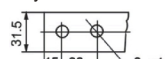


Oil weight: 29kg  
Gross weight: 143kg

1. Oil injection plug
2. Oil position indicator
3. Porcelain vase
4. Rating plate
5. Secondary terminal box
6. Journal-box lid hinge
7. Oil sample plunger
8. Earthing bolt



Primary terminal dimension



Oil weight: 24kg  
Gross weight: 126kg

1. Oil injection plug
2. Oil position indicator
3. Porcelain vase
4. Rating plate
5. Secondary terminal box
6. Journal-box lid hinge
7. Oil sample plunger
8. Earthing bolt