

## DSSF3/DTSF3 Three-phase Multi-rate Static Energy Meter

### Summary

DSSF3/DTSF3 three-phase multi-rate energy meter applies to measure 3-phase active energy corresponding to different tariffs. It realizes data exchange via RS485 network or by HHU, and the data transmission protocol conforms to IEC1107. This meter can measure in different time section, set the daily automatic data revert, program and write the data for the mobile and PC, LCD display. The meter has the characteristics of high accuracy, good stability, wide-load, low power consumption, strong anti-interference ability, etc.



### Technical specification

- Electric condition**  
 Accuracy class: 1.0;  
 Normal working voltage:  $0.9U_n \sim 1.1U_n$ ;  
 Limit working voltage:  $0.7U_n \sim 1.15U_n$ ;  
 Power consumption of voltage circuit: power consumption of each phase in voltage circuit  $\leq 2.0W$  and  $5VA$ ;  
 Power consumption of current circuit:  $\leq 1VA$ ;  
 Start-up current:  $0.004I_b$ ;  
 Shunt running: voltage line adding  $115\%U_n$ , when the circuit current is 0, the output impulse is less than 1.
- Climatic condition**  
 Normal working voltage:  $-25^\circ C \sim +55^\circ C$ ;  
 Limit working temperature:  $-30^\circ C \sim +70^\circ C$ ;  
 Stockpile and transportation temperature:  $-35^\circ C \sim +70^\circ C$ ;  
 Relative humidity: annual average  $< 80\%$ .
- Tariff working parameter**  
 Clock accuracy:  $\leq 0.5ld (23^\circ C)$ ;  
 Batteries capacity:  $\geq 1200mAh$ ;  
 After power cut data save time:  $\geq 10$ years;  
 Tariff numbers: 4, section number: 10, measurement range:  $0 \sim 999999.99kWh$ ;  
 Communication baud rate: RS485  $\square$   $1200bps \sim 9600bps$ ;
- Conformed standards:** IEC62053; GB/T17215-2002; DL/T614-1997;
- Life:** 10 years.

### Model

Model	Reference voltage(V)	Rated frequency (Hz)	Nominal current(A)	Meter constant(imp/kwh)
Three phase four wire DTSF3	$3 \times 220(240)/380/(415)$	50/60	1.5(6), 2.5(10), 5(20), 10(40), 15(60) 20(80), 30(100)	As nameplate
	$3 \times 57.5(63.5)/(110)$	50/60		
Three phase three wire DSSF3	$3 \times 100/110$	50/60		
	$3 \times 380/415$	50/60		

### Product function

- Measurement function**  
 Register positive, reverse of active and reactive energy, and store data;  
 Register negative and active energy, and store data;  
 Register positive, negative active and reactive maximum demand with its occurred time, and store data.
- Multi-tariff function**  
 Programmed with 4 tariffs, 10 daily time section and 2 time-zones.

### 3. Display function

- LCD display, 6 integers, 2 decimal fraction;
- Automatic rolling display, parameters and time, sequence can be randomly set;
- Button display function, displaying content and sequence can be randomly set;
- Read random item data by remote device.

### 4. Communication function

- RS485 interface and infrared communication interface;
- Communication stipulations conforms to IEC1107 & DL/T645-1997 or other request.

### 5. Output function

- Active impulse test output interface;
- Clock output function.

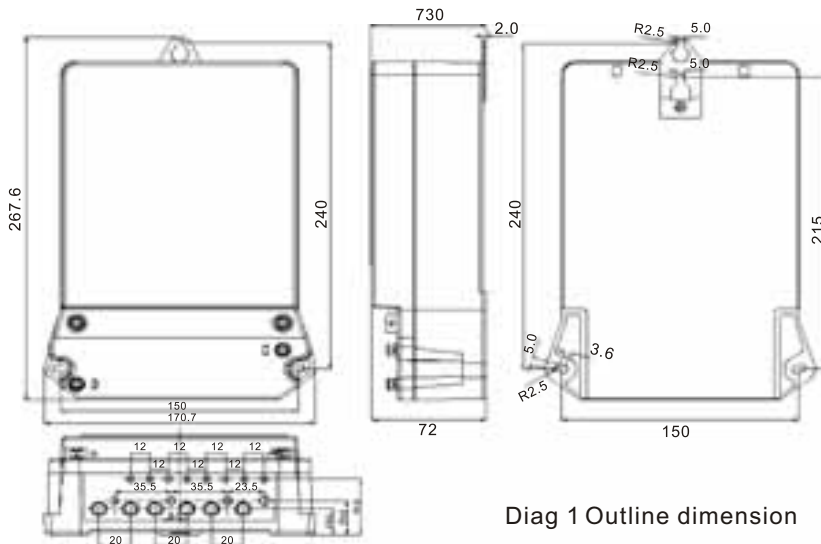
### 6. Event record function

- Real time test three phase (A/B/C) voltage;
- Power-off record of lately 1~9 times; have real time power register function;
- Event record functions like no voltage, programming, broadcast time checkout etc.

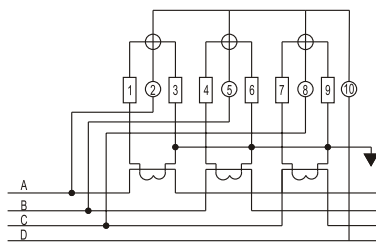
### 7. Other function

- Power-off key-press arouse function;
- Programming forbid, data reset function;
- Register 1-12 months electricity function (not available of display but by reading) ;
- Freeze data at transfer point between time sections.

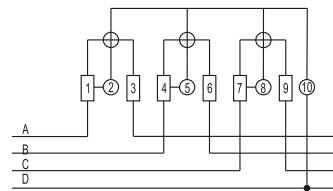
## Outline dimension and wiring



Diag 1 Outline dimension



CT type ( $3 \times 57.7/100V \leq 3 \times 1.5(6)A$ )



Direct type ( $3 \times 57.7/100V \leq 3 \times 1.5(6)A$ )