

HXGN11-12 HV Switchgear Metal-clad AC Ring Main Unit

Summary

HXGN11-12 HV Switchgear Metal-clad AC Ring Main Unit(RMU) is a new HV apparatus which is introduced from abroad and accords with the requirements of rural and city power distribution & transmission system. This product has passed the type test report and all the performances have already satisfied the requirements of IEC 62271-200 Standard <<1KV-52KV AC HV Metal-clad Switchgear and its Controlling Equipments>>. It has reliable anti-misoperation function, and the protection degree is IP3X. It applies to the 12KV, three phases, 50/60Hz power distribution systems in such occasions: Enterprises, Mining places, High buildings, Residence community, School, Park, etc.



Ambient condition

1. Ambient temperature: -10°C~+40°C
2. Altitude: ≤1000 m;
3. Relative humidity: ≤90%(Month mean value); ≤95%(+25°C)(Daily mean value);
4. Earthquake intensity: ≤Degree 8(Horizontal acceleration 0.3g)
5. Occasions without flammable and explosive matter, without corrosive chemical and frequent severe vibration, without strong shake.

Product feature

The meter's compartment is insulated by metal partitions board from the main busbar compartment and others, so it is safely for usage.

Set metal partitions board with in the disconnect gaps, and it is intergrated with earthing switch: when the earthing switch is closed, it is disconnecting the isolating gaps, so it is very reliable, safety and easily for maintenance;

Spring energy storage operating: when the HV fuses blew, all the three phases will shed automatically;

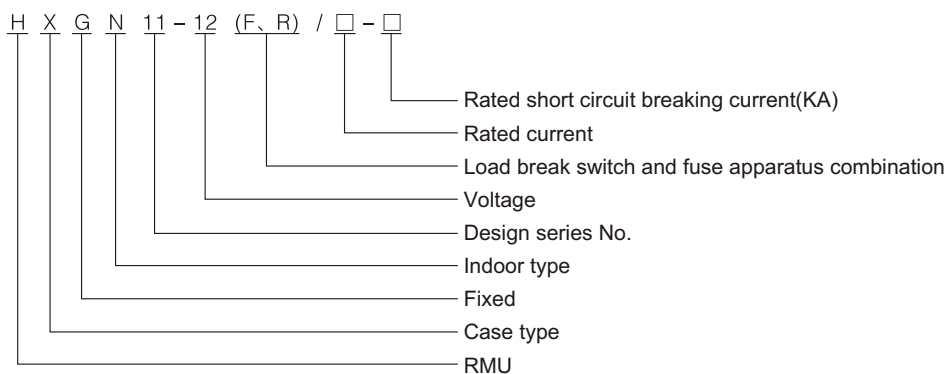
The mechanical interlock satisfy the '5 protection' requirements.

The switchgear can be as RMU power supply unit or other connection types very easily, and it is also can be extended very easily;

Use the vacuum load break for breaking and closing, so it is reliable and safety.

The structure of the switchgear is simple, it has beautiful appearance, and can be operated easily by both manual and motor.

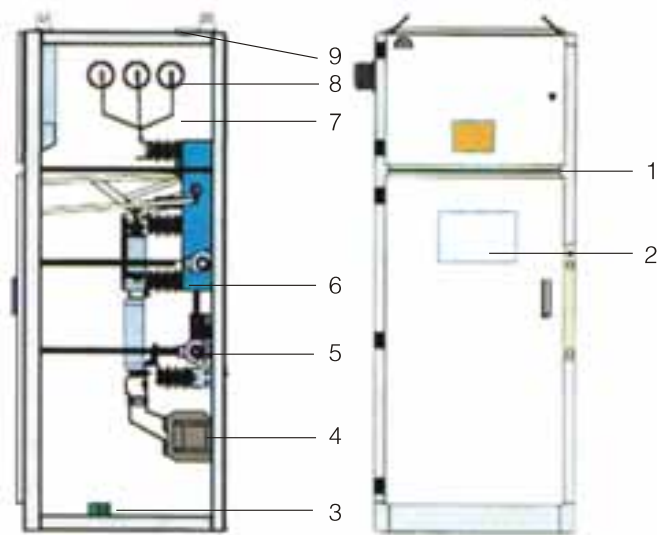
Model



Technical specification

No.	Item	Unit	Parameter
1	Rated voltage	kV	12
2	Rated frequency	Hz	50
3	Main busbar rated current	A	630
4	Rated short-time withstand current(Functional unit)	kA/S	20/3
5	Earthing circuit rated short time withstand current	kA	20/2
6	Rated peak withstand current	kA	50
7	Earthing circuit rated peak withstand current	kA	50
8	Main/earthing circuit rated short circuit making current(Peak)	kA	50
9	Fuse breaking current	kA	31.5
10	Mechanical life	Times	5000
11	1 min P.F withstand voltage	kA	42/48
	P to E, P to P/ Across open contacts (Valid value)		
12	Lightning impulse withstand voltage	kA	75/85
	P to E, P to P/ Across open contacts (Peak value)		
13	Secondary circuit 1 min P.F withstand voltage	kA	2
14	Outline dimension(WxDxH)	mm	650x850x1900
15	Net weight	Kg	160
16	Package outline dimension(WxDxH)	mm	800x1000x2000
17	Gross weight	Kg	220

Outline dimension diagram



HXGN11-12 HV Switchgear Metal-clad AC Ring Main Unit(Feeder)

1. Insulation insert board
2. Anti-explosion observation window
3. Primary cable buck
4. Dry type CT
5. Operation mechanism
6. LBS and fuse combination apparatus
7. Main busbar compartment
8. Busbar bushing
9. Press releasing device.